

Mi-T-M[®] CORPORATION

8650 Enterprise Drive, Peosta IA 52068

563-556-7484 / Fax 563-556-1235

PARTS LIST FOR ***CW-4004-4MVO***

Engine Oil Grade:	Above 40°F=SAE30
	Below 40°F=SAE10W-30
Engine Oil Capacity:	56 oz.
Pump Oil Grade:	Mi-T-M Pump Oil #AW-4085-0016
Pump Oil Capacity:	32 oz.
Nozzle Size:	4.0

This Parts Listing has been compiled for your benefit. You can be assured your Mi-T-M Cold Water Pressure Washer was constructed and designed with quality and performance in mind using over 25 years experience in the pressure washer business. Each component has been rigorously tested to insure the highest level of acceptance.

The contents of this Parts Listing are based on the latest product information available at the time of publication. Mi-T-M reserves the right to make changes in price, color, materials, equipment, specifications or models at any time without notice.

WARNING

THIS IS A PROFESSIONAL HIGH PRESSURE, COLD WATER PRESSURE WASHER. CAUTION SHOULD BE OBSERVED WHEN USING OR REPAIRING THIS UNIT! READ AND FOLLOW THE SAFETY WARNINGS LISTED BELOW BEFORE ATTEMPTING ANY REPAIRS ON THIS PRESSURE WASHER!

SAFETY WARNINGS

1. NEVER alter or modify the equipment. Be sure any accessory items and system components being used will withstand the pressure developed. Use only genuine Mi-T-M parts for repair of your pressure washer. Failure to do so can cause hazardous operating conditions and will VOID warranty.
2. NEVER make adjustments on machinery while the unit is connected to the power source. Turning over the machinery by hand during adjustment or cleaning might start the machinery, causing serious injury to the operator.
3. Know how to stop and bleed pressures quickly. Be thoroughly familiar with controls.
4. Before servicing the unit, turn unit off, relieve the water pressure and allow the unit to cool down. Do not make repairs while the unit is running. Service in a clean, dry, flat area.
5. After testing the machine, DO NOT leave the pressurized unit unattended. Shut off the unit and release trapped pressure before leaving.

Table of Contents

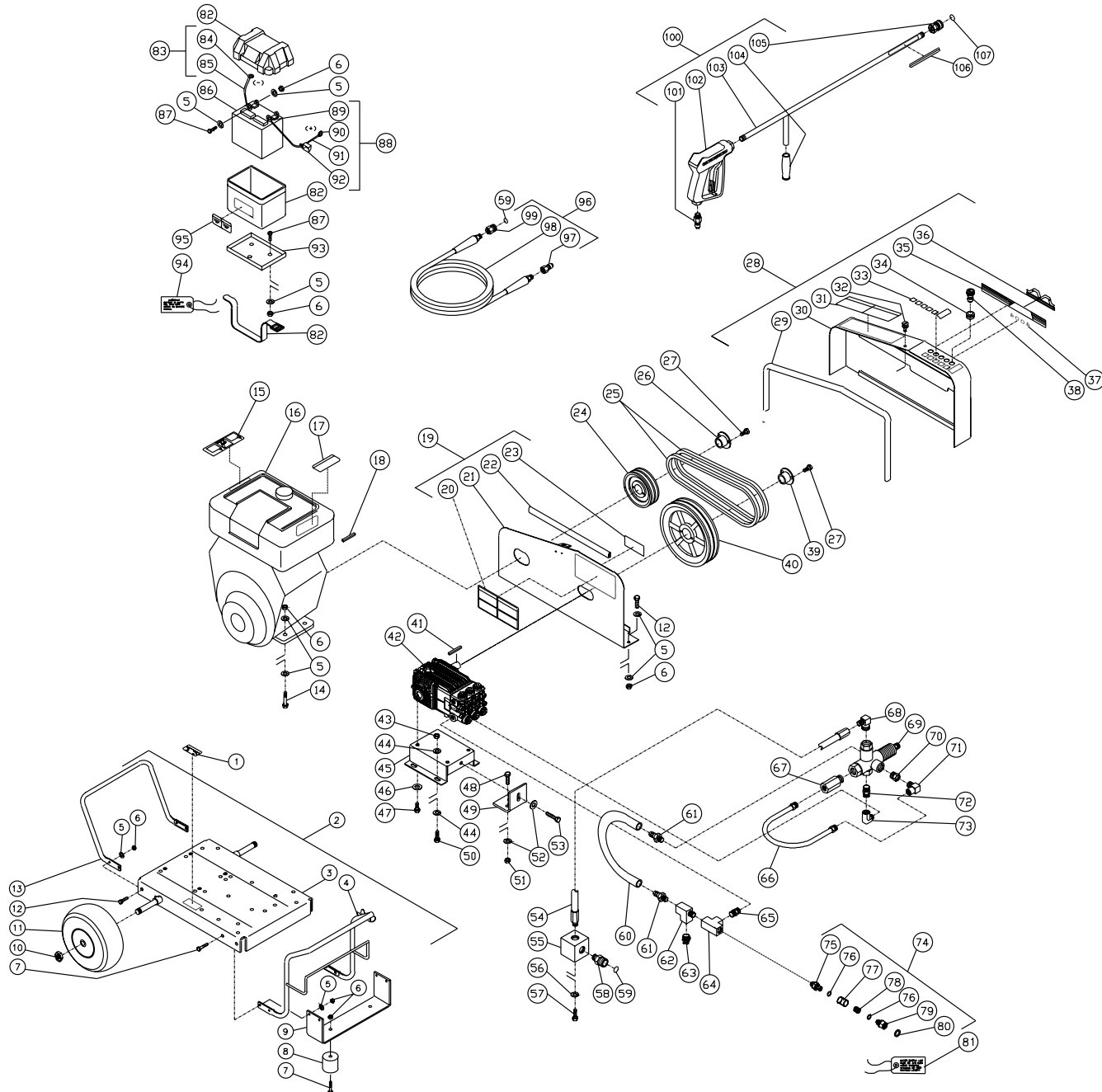
SPECIFICATIONS	3
FRAME ASSEMBLY FOR CW-4004-4MV0	4
PUMP ASSEMBLY (3-0213)	6
UNLOADER ASSEMBLY (8-0270)	8
GUN ASSEMBLY (16-0001)	10

SPECIFICATIONS

CW-4004-4MV0

MODEL NUMBER	CW-4004-4MV0
Operating Pressure (PSI/Bar):	4000/275.8
High Pressure Nozzle:	4.0
Water Volume (GPM/lpm):	4.0/15.1
Engine:	Vanguard
Horsepower	16.0
Engine Type	Four Stroke, Overhead Valve, Single Cylinder
Oil Type	Above 40 F=SAE 30/Below 40 F=SAE10W-30
Oil Capacity (oz./liter)	56/1.7
Low Oil Protection	Oil Guard
Fuel Type	Unleaded Gasoline 86 Octane Minimum
Fuel Capacity (gal./liter)	2.25/8.5
Starting	Electric Start/ Recoil Rope
Maximum No Load RPM	3600 (+/- 100)
Pump:	Direct Driven, Oil Bath, Triplex Piston
Oil Type	Mi-T-M Pump Oil #AW-4085-0016
Oil Capacity (oz./liters)	32 oz.
Plungers	Ceramic
Manifold	Forged Brass
Valves	Stainless Steel
Unloader	Preset
Heat Dump Valve	Relieves heated water during unloader bypass stage
Detergent Injector	Adjustable low pressure down stream from pump
Unit Net Weight (lbs/Kg)	249/113
Unit Shipping Weight (lbs/Kg)	327/148
Unit Net Dimension (in/cm)	46Lx28Wx30H/ 117Lx71Wx76H
Unit Shipping Dimension (in/cm)	49Lx30.5Wx35.5H/ 124Lx77.5Wx90H

FRAME ASSEMBLY FOR CW-4004-4MV0



CW-4004-4MV0-090701-RD

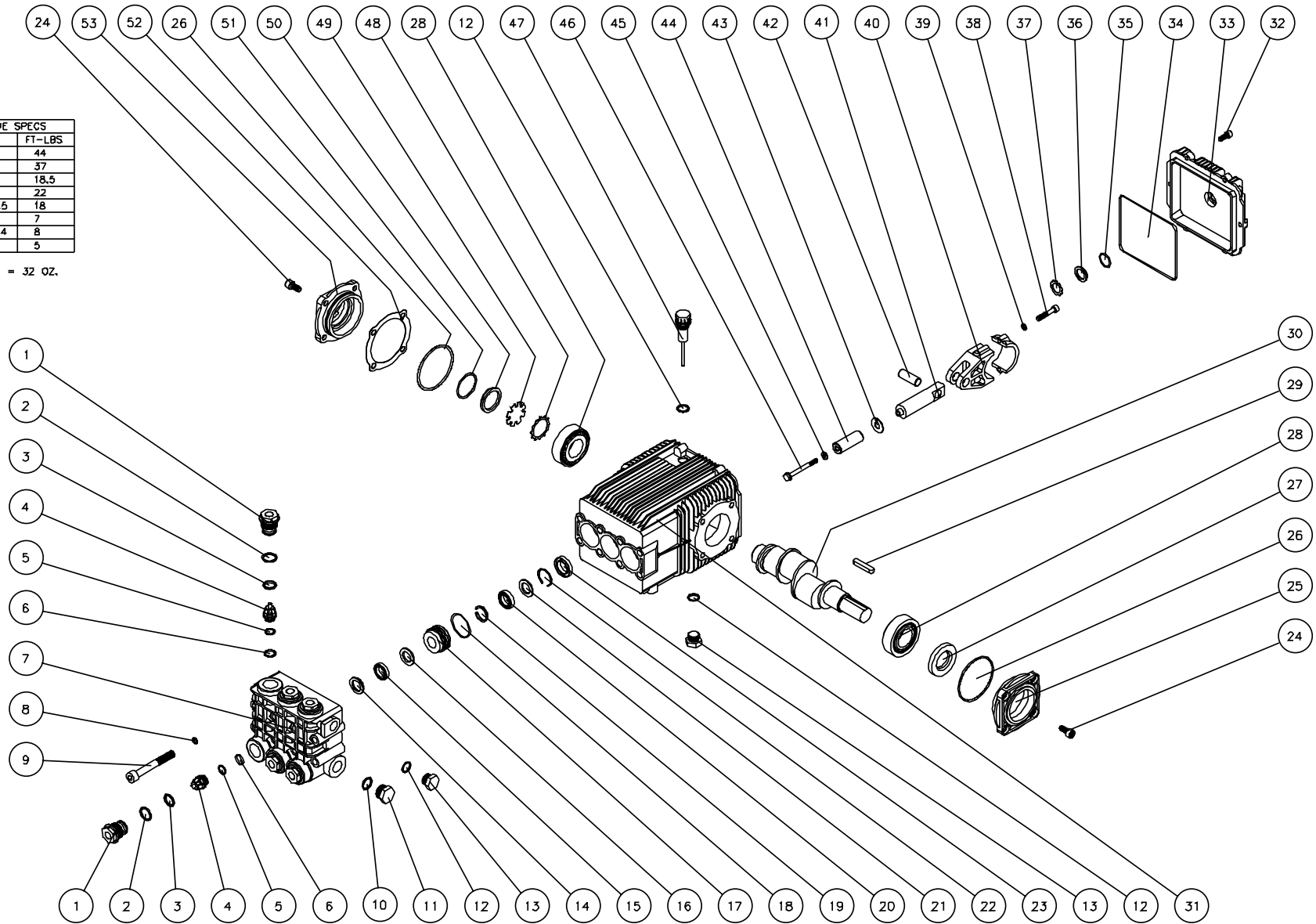
FRAME ASSEMBLY FOR CW-4004-4MV0											
REF. #	DESCRIPTION	PART #	QTY.	REF. #	DESCRIPTION	PART #	QTY.	REF. #	DESCRIPTION	PART #	QTY.
1	Decal- Data Plate	N/A	1	38	Spray Nozzle- 0004	18-0028	1	72	Hex Nipple	24-0024	1
2	Base Plate Assembly (Inc. 3-13)	851-0235	1	-	Spray Nozzle- 1504	18-0029	1	73	Elbow	24-0105	1
3	Base Plate	5-0078A01	1	-	Spray Nozzle- 2504	18-0030	1	74	Filter Assembly (Inc. 75-80)	19-0206	1
4	Handle	7-0101A01	1	-	Spray Nozzle- 4004	18-0031	1	75	Inlet Filter (See 19-0206)	N/A Sep.	1
5	Washer	28-0003	31	39	Bushing	9-0017	1	76	O-ring	25-0517	2
6	Locknut	30-0157	23	40	Sheave	10-0040	1	77	Filter Sight Glass	19-0208	1
7	Bolt	27-0068	6	41	Key w/Pump	43-0028	1	78	Strainer Screen	19-0209	1
8	Isolator	14-0008	2	42	Pump	3-0213	1	79	Inlet Filter (See 19-0206)	N/A Sep.	1
9	Underbracket	13-0042A01	1	43	Locknut	30-0161	4	80	Garden Hose Gasket	26-0001	1
10	Jamnut	30-0117	2	44	Washer	28-0030	8	81	Tag- Water Supply Inlet	34-0097	1
11	Wheel	14-0006	2	45	Pump Bracket	5-0101A01	1	82	Battery Box	33-0092	1
12	Bolt	27-0067	8	46	Washer w/Pump	29-0055	4	83	Battery Cable Assembly (Inc. 84-85)	851-0344	1
13	Handle	7-0111A01	1	47	Bolt w/Pump	27-8471	4	84	Battery Terminal	32-0097	2
14	Bolt	27-0070	4	48	Bolt	27-0118	2	85	Battery Cable (Neg.) *(Two Feet Required)	32-0065	1
15	Decal- Warning: Muffler Hot (E/S)	34-0598	1	49	Brace Tightener	13-0003A01	1	86	Battery	32-0058	1
16	Engine- 16 H.P. Vanguard	851-0099	1	50	Bolt	27-0166	4	87	Bolt	27-0066	4
17	Decal- Caution: Allow to Cool (E/S)	34-0599	1	51	Locknut	30-0159	2	88	Battery Cable Assembly (Inc. 89-92)	851-0082	1
18	Key	43-0078	1	52	Washer	28-0023	3	89	Battery Terminal	32-0097	1
19	Beltguard Back Assembly (Inc. 20-23)	851-0215	1	53	Bolt	27-0576	1	90	Battery Terminal	32-0098	1
20	Decal- Warning/Caution (E/S)	34-0812	1	54	Hose	15-0141	1	91	Battery Cable (Pos.) *(Two Feet Required)	32-0065	1
21	Beltguard Back (See 851-0215)	N/A Sep.	1	55	Manifold Block	51-0012	1	92	Battery Cable Cover	33-0004	1
22	Edging *(Two Feet Required)	33-0020	1	56	Washer	29-0008	2	93	Battery Retainer	20-0264A01	1
23	Decal- Warning: Beltguard Cover (E/S)	34-0826	1	57	Bolt	27-0116	2	94	Tag- Battery	34-0096	1
24	Sheave	10-0024	1	58	Quick Connect Socket	17-0029	1	95	Decal- Caution: Disconnect Battery (E/S)	34-0848	1
25	Belt	11-0009	2	59	O-ring (Replacement Only)	25-0123	-	96	Pressure Hose Assembly (Inc. 97-99)	851-0006	1
26	Bushing	9-0005	1	60	By-Pass Hose	15-0022	1	97	Quick Connect Plug	17-0006	1
27	Bolt	27-0015	1	61	Hose Barb	23-0005	2	98	Pressure Hose	15-0004	1
28	Beltguard Cover Assembly (Inc. 29-36)	851-0216	1	62	Street Tee	23-0124	1	99	Quick Connect Socket	17-0004	1
29	Edging *(Four Feet Required)	33-0020	1	63	Heat Dump Valve	22-0005	1	100	GunWand Assembly (Inc. 101-105)	851-0095	1
30	Beltguard Cover (See 851-0216)	N/A Sep.	1	64	Tee	23-0043	1	101	Quick Connect Plug	17-0005	1
31	Decal- Operating Instructions (E/S)	34-0813	1	65	Hex Nipple	23-0012	1	102	Gun	16-0001	1
32	Fastner	33-0197	1	66	Hose	15-0140	1	103	Wand w/ 36" Handle	16-0120A01	1
33	Decal- Die Cut Nozzles	34-0500	1	67	Easy Start Valve	22-0146	1	104	Grip Handle	7-0002	1
34	Grommet	33-0001	5	68	Elbow	24-0074	1	105	Quick Connect Socket	17-0001	1
35	Decal- Mi-T-M Stripe	34-0501	1	69	Unloader	8-0270	1	106	Decal- Warning: Risk of Injection (E/S)	34-1253	1
36	Mi-T-M Logo	62-0086	1	70	Hex Reducer	23-0056	1	107	O-ring (Replacement Only)	25-0122	-
37	Decal- Die Cut 4004	34-0261	1	71	Elbow	23-0237	1				

*Must Order in One Foot Lengths

PUMP ASSEMBLY (3-0213)

TORQUE SPECS		
REF	Nm	FT-LBS
1	60	44
9	50	37
11	25	18.5
13	30	22
24	24.5	18
32	10	7
38	10.4	8
46	7	5

OIL CAP. = 32 OZ.

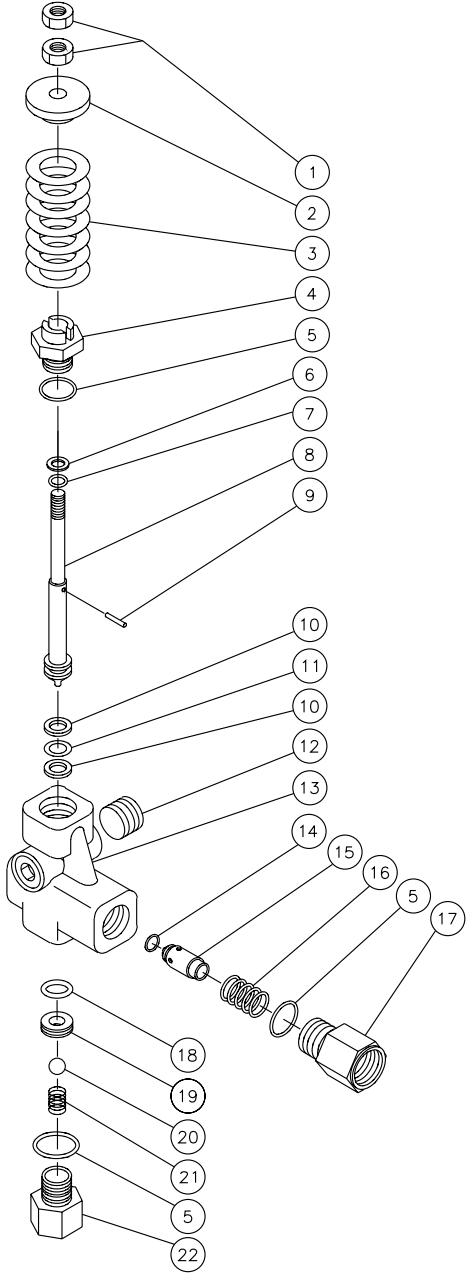


3-0213-040901-EDW

PUMP ASSEMBLY (3-0213)

REF. #	DESCRIPTION	PART #	QTY.	REF. #	DESCRIPTION	PART #	QTY.	REF. #	DESCRIPTION	PART #	QTY.
1	Valve Cap	39-0201	6	20	Low Pressure Seal (See 70-0317)	N/A Sep.	3	39	Lockwasher	N/A	6
2	Back-Up Ring	25-0509	6	21	Spacer	46-0907	3	40	Connecting Rod	46-0913	3
3	O-Ring	25-0386	6	22	Snap-Ring	46-0908	3	41	Plunger Rod	46-0915	3
4	Valve w/O-ring (See 70-0314)	N/A Sep.	6	23	Oil Seal	26-0242	3	42	Connecting Rod Pin	46-0914	3
5	Back-Up Ring	25-0516	6	24	Screw	27-8884	8	43	Slinger Washer	46-0916	3
6	O-ring	25-0515	6	25	Shaft Cover	N/A	1	44	Piston	46-0917	3
7	Pump	46-0900	1	26	O-ring	25-0512	2	45	Washer	28-1041	3
8	Lockwasher	29-0155	8	27	Oil Seal	26-0243	1	46	Screw	27-8965	3
9	Screw	27-8470	8	28	Bearing	48-0073	2	47	Oil Dipstick	39-0204	1
10	O-ring	25-0372	1	29	Key	43-0091	1	48	Spring Retainer	46-0924	1
11	Plug	39-0202	1	30	Crankshaft	N/A	1	49	Pump	46-0925	1
12	O-ring	25-0510	3	31	Crankcase	46-0911	1	50	Oil Sight	46-0926	1
13	Plug	39-0203	2	32	Screw	27-8888	6	51	O-ring	25-0514	1
14	Support Ring (See 70-0317)	N/A Sep.	3	33	Crankcase Cover (Inc. 35-37)	46-0912	1	52	Shim	46-0947	1
15	High Pressure Seal (See 70-0317)	N/A Sep.	3	34	O-ring	25-0513	1	53	Support Bearing Cover (Inc. 48-51)	46-0918	1
16	Low Pressure Seal (See 70-0317)	N/A Sep.	3	35	O-ring	25-0370	1		Valve Kit (Inc. 6 each 4-6)	70-0314	1
17	Piston Guide	46-0904	3	36	Oil Sight Glass	46-0670	1		Oil Seals Kit (Inc. 14-16, 18-20)	70-0317	1
18	O-ring (See 70-0317)	N/A Sep.	3	37	Spring Retainer	46-0671	1				
19	Back-Up Ring (See 70-0317)	N/A Sep.	3	38	Screw	N/A	6				

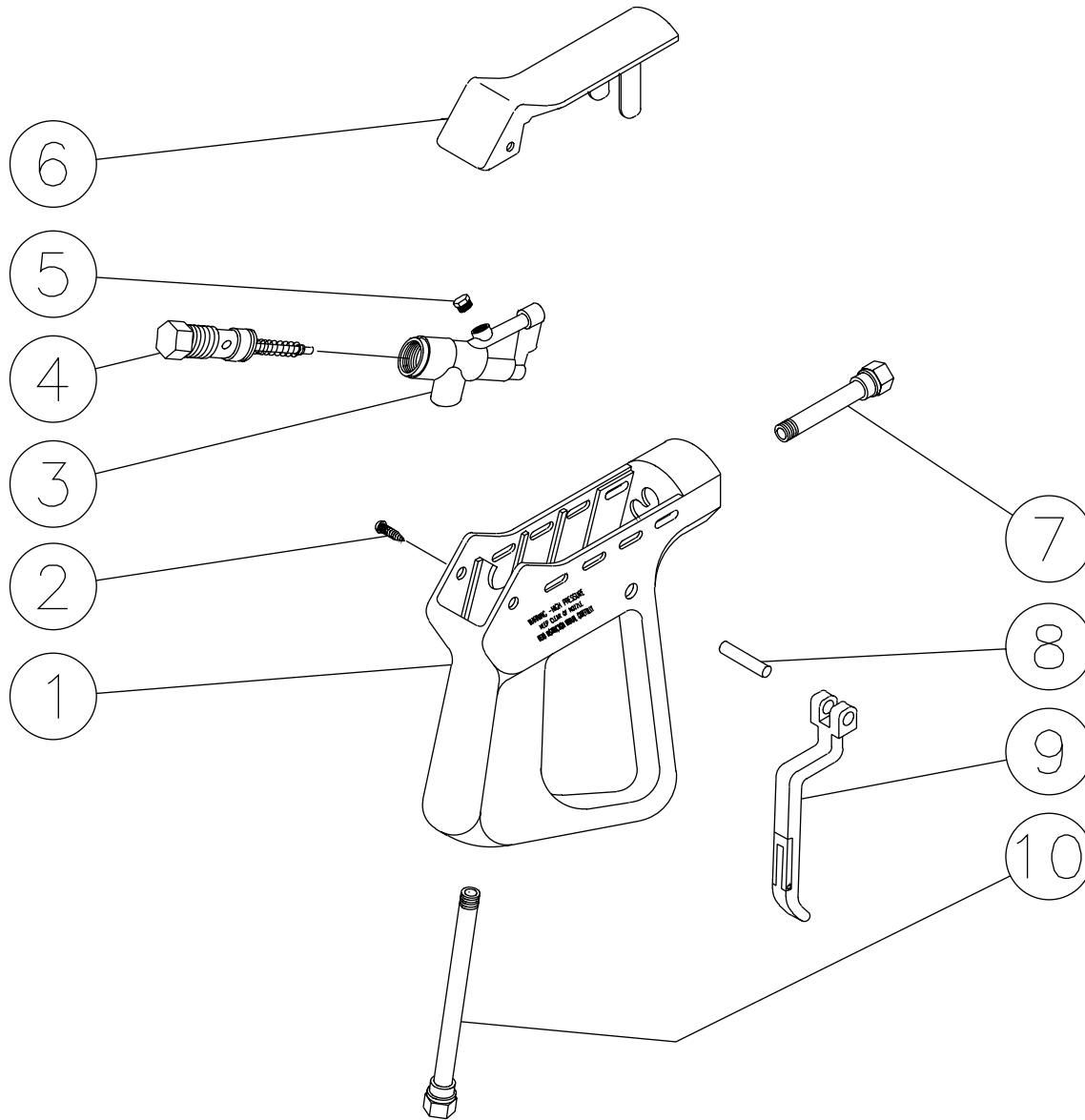
UNLOADER ASSEMBLY (8-0270)



OMGEN043-083094-BAR

UNLOADER ASSEMBLY (8-0270)			
REF. #	DESCRIPTION	PART #	QTY.
1	Hex Nut	30-7203	2
2	Spring Guide	8-0278	1
3	Spring	49-0111	1
4	Piston Housing	8-0279	1
5	O-ring	25-0189	3
6	Back-up Ring	8-0277	1
7	O-ring	25-0192	1
8	Piston	8-0280	1
9	Pin	43-0059	1
10	Back-up Ring	8-0276	2
11	O-ring	25-0191	1
12	Plug	39-0055	2
13	Valve Housing	8-0275	1
14	O-ring	25-0193	1
15	Check Valve	22-0127	1
16	Spring	49-0058	1
17	Outlet Connection	8-0271	1
18	O-ring	25-0190	1
19	Seat	8-0272	1
20	Ball	8-0273	1
21	Spring	49-0059	1
22	Inlet Connection	8-0274	1
	Unloader Kit (5-7, 10, 11, 14, 18-20)	70-0107	1

GUN ASSEMBLY (16-0001)



16-0001-110399-RD

GUN ASSEMBLY (16-0001)			
REF. #	DESCRIPTION	PART #	QTY.
1	Plastic Housing	16-0008	1
2	Screw	27-3230	2
3	Brass Housing	16-0012	1
4	Gun Repair Kit	70-0055	1
5	Brass Plug	39-0024	1
6	Plastic Cover	16-0009	1
7	Pipe Assembly	16-0013	1
8	Trigger Pin	16-0063	1
9	Trigger/Safety Lock-off	16-0010	1
10	Pipe Assembly- Inlet	16-0016	1
	Complete Gun Assembly	16-0001	1

